



Data Sheet

AVDU - 1010

6.5" Compact Aircraft Video Display

Features

- ◆ Small and lightweight
- ◆ Plug-and-Play video compatibility with PAL and NTSC
- ◆ DZUS mounting for ease of installation



Figure1: AVDU-1010 in pilot and co-pilot positions on Falcon jet for EVS application



The AVDU-1010 is a compact LCD video display designed for airborne use. It offers high-quality video viewing on a display designed to be installed in aircraft cockpits where space is at a premium.

Limited to VGA resolution, the display is usually used as a secondary viewing source and is capable of displaying either PAL or NTSC video through its composite video input.

Learn More

Web / sales.cwcmbedded.com

Email / sales@cwcmbedded.com

ABOVE & BEYOND





Ordering Information

Description: 4" Video LCD display (DZUS mounted)

Part number: AVDU-1010-01

AVDU-1010-02 (with NVG filter)

Table 1: General Specifications

Physical	
Dimensions	146mm (w) x 104mm (h) x 50mm (d) 5.7" (w) x 4.1" (h) x 2.0" (d)
Weight	< 1kg/ 2.2 lbs
Finish	Matt black anodised
Electrical	
Input Voltage	28V DC
Power Dissipation	15 watts
Temperature	
Operating	0°C (32°F) to +60°C (140°F)
Storage	-30°C (-22°F) to +80°C (176° F) (internal heater as standard)
Video and Graphic Signals	
Video Input Standards	PAL 50Hz and NTSC 60Hz
Connectors	
Video In/Out	2x BNC (isolated)
Power	D38999/20WB 98PN
Display Performance	
Resolution	480 x 234 pixels
Viewing Area	82.1mm (w) x 61.8mm (h) 3.232" (w) x 2.433" (h)
Pixel Pitch	0.171mm (w) x 0.264mm (h) 0.007" (w) x 0.010" (h)
Pixel Configuration	RGB vertical stripe
Color Capacity	6-bits per color; 256K colors
Grey Scale Capacity	64 grey scale
Viewing Angle	Horizontal: +/-45° Vertical: +10° to -30°
Luminance at Optimum Viewing Angle	Max: >250 cd/m ² Min: <7 cd/m ²
Contrast Ratio at Optimum Viewing Angle	100:1

Table 2: Environmental Performance
(to EUROCAE/ED-14D and RTCA/DO-160D)

Section	Category
4 - Temperature & Altitude	Category A1 This unit is considered satisfactory for operation up to an altitude of 25,000ft. un-pressurised.
5 - Temperature Variation	Category C
6 - Humidity	Category A
7 - Operational Shocks & Crash Safety	Category B Operating: 6g 11/ms Non-operating: 15g/11ms
8 - Vibration	Category R + U (equiv: DO-160C Helicopter -Test curve 'N', 1.5g p-p)
9 - Explosion Proofing	N/A Category A Equipment located within the passenger cabin.
10 - Waterproofing	Category W
11 - Fluid Susceptibility	Category X
12 - Sand & Dust	Category D
13 - Fungus Resistance	N/A Category F
14 - Salt Spray	N/A Category X
15 - Magnetic Effect	Category A The unit has no perceivable effect when mounted within 460mm (18") of an aircraft magnetic compass.
16 - Power Input	Category B
17 - Voltage Spike	Category A
18 - Audio Frequency	Category A + Z
19 - Induced Susceptibility	Category Z
20 - RF Susceptibility (Radiated & Conducted)	Category U
21 - RF Emission	Category B
22 - Lightning Induced Transients	Not considered
23 - Lightning Direct Effects	Not considered
24 - Icing	Category X
25 - Electrostatic Discharge	Not considered

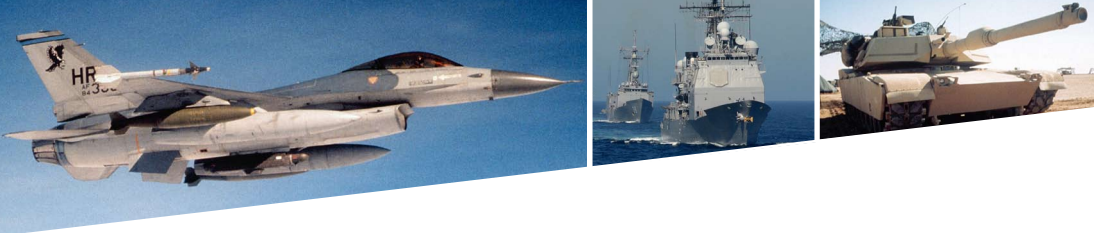
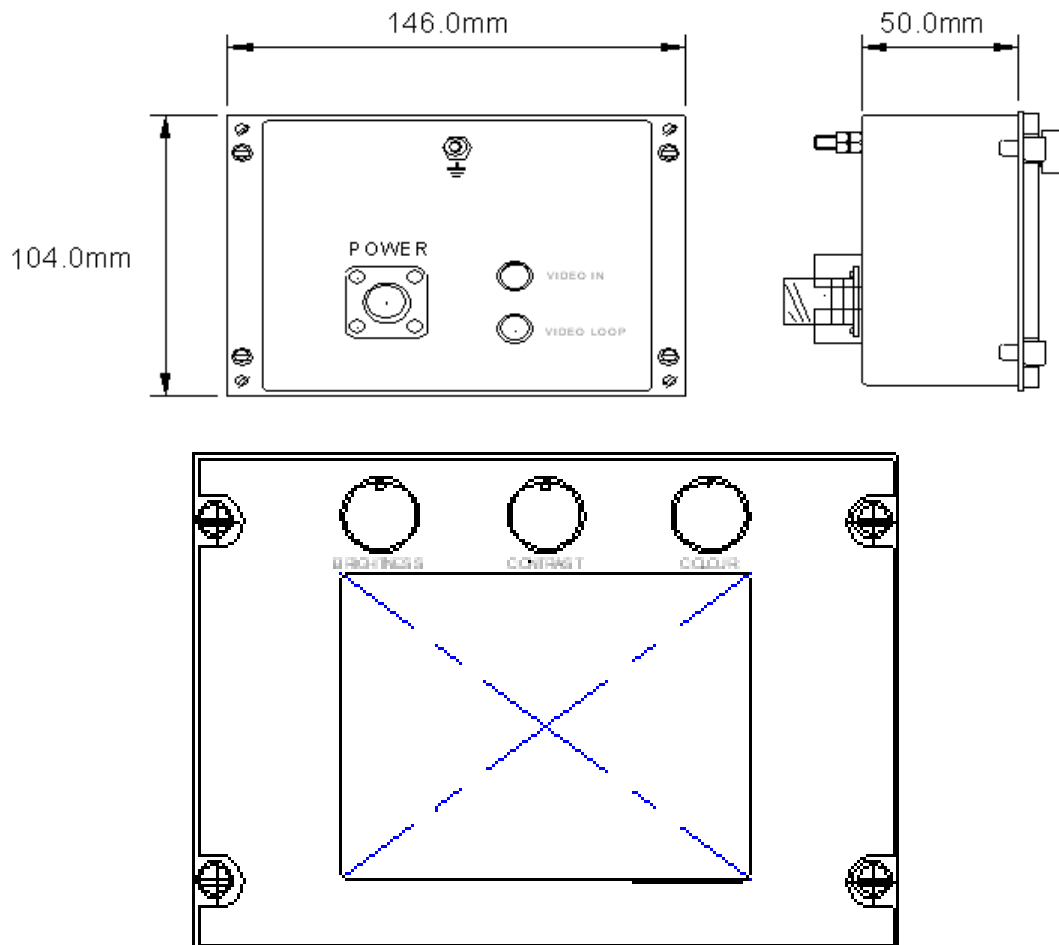


Figure 2: AVDU-1010 Dimensional Diagrams



Warranty

This product has a one year warranty.

Contact Information

To find your appropriate sales representative, please visit:

Website: www.cwembedded.com/sales

Email: sales@cwembedded.com

Technical Support

For technical support, please visit:

Website: www.cwembedded.com/support1

Email: support1@cwembedded.com

The information in this document is subject to change without notice and should not be construed as a commitment by Curtiss-Wright Controls Embedded Computing. While reasonable precautions have been taken, Curtiss-Wright Controls assumes no responsibility for any errors that may appear in this document. All products shown or mentioned are trademarks or registered trademarks of their respective owners.